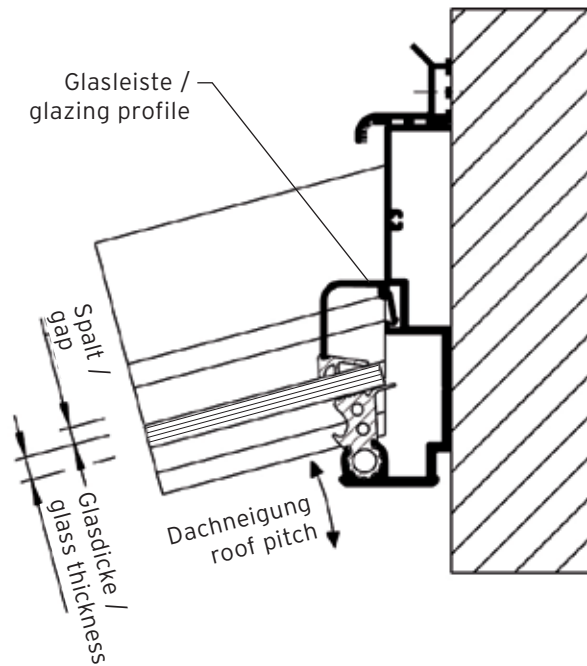
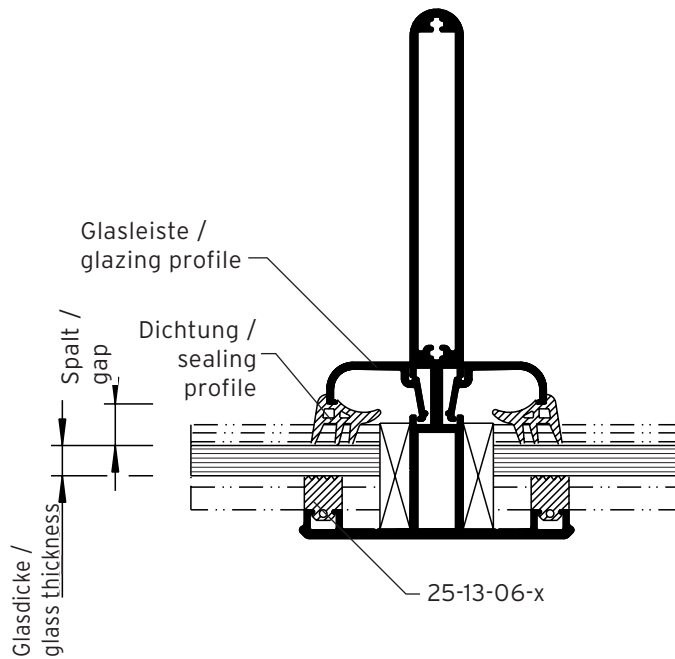


I Verglasung Wandanschluss / Glazing Wall Connection

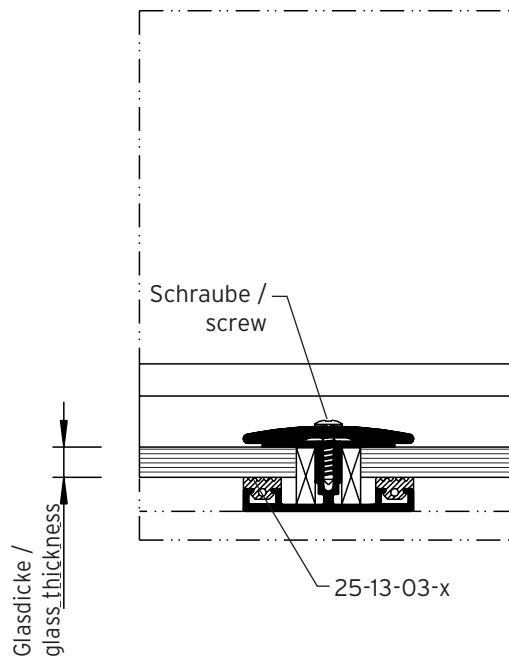


Glasdicke glass thickness	Dachneigung roof pitch	Glasleiste glazing profile	Dichtung sealing profile
8 mm	5° bis 25°	27 mm; 5-13-73-x	25-0-1006-x
10 mm	5° bis 10°	23 mm; 5-13-72-x	25-0-1006-x
10 mm	10° bis 25°	23 mm; 5-13-72-x	25-13-01-x
12 mm	5° bis 25°	23 mm; 5-13-72-x	25-0-1006-x

I Verglasung Sparren & Sprosse / Glazing Rafter & Mullion

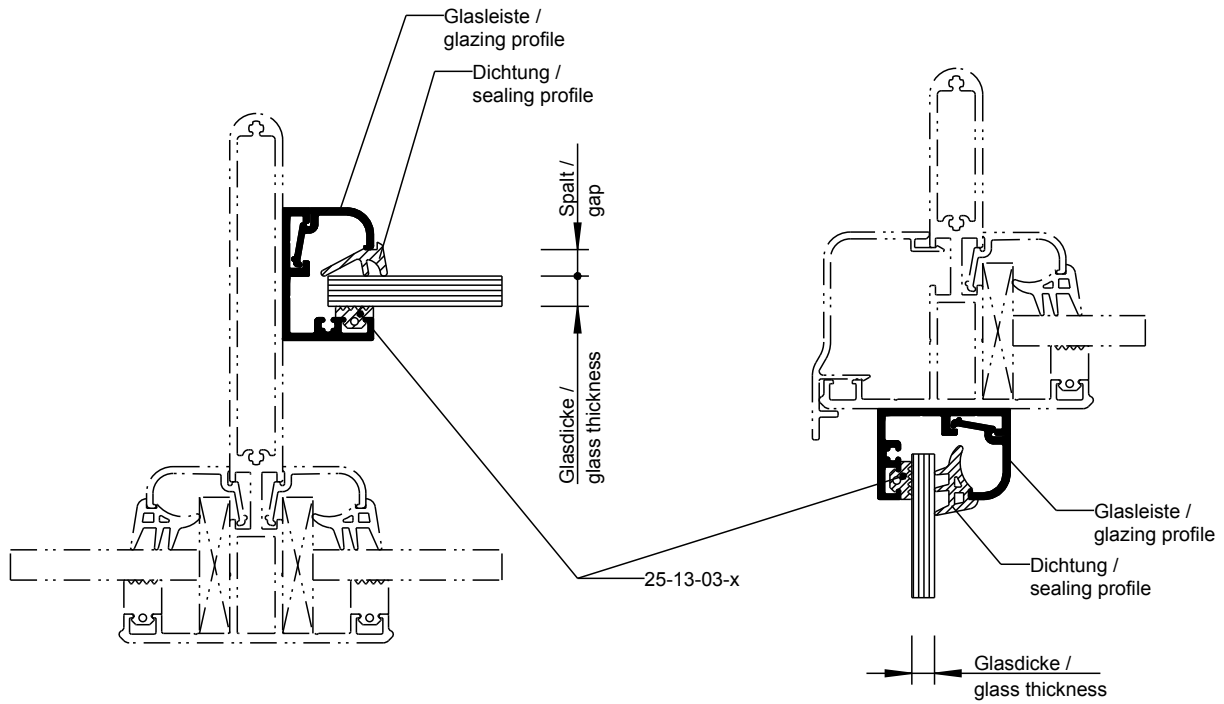


Glasdicke glass thickness	Glasleiste glazing profile	Dichtung sealing profile	Spalt gap
8 mm	11 mm; 5-13-76-x	25-13-01-x	10 mm
10 mm	11 mm; 5-13-76-x	25-13-01-x	8 mm
12 mm	11 mm; 5-13-76-x	25-0-1006-x	6 mm



Glasdicke glass thickness	Schraube screw
8 mm	DIN 7983 - 3,9 x 16; 20-0-364-x
10 mm	DIN 7983 - 3,9 x 19; 20-0-365-x
12 mm	DIN 7983 - 3,9 x 19; 20-0-365-x

I Verglasung Lüftung & Modellfenster / Glazing Offset Roof Panes & Non-standard Windows



Glasdicke glass thickness	Glasleiste glazing profile	Dichtung sealing profile	Spalt gap
6 mm	11 mm; 5-17-27-x	25-13-01-x	10 mm
8 mm	11 mm; 5-17-27-x	25-13-01-x	8 mm
10 mm	11 mm; 5-17-27-x	25-0-1006-x	6 mm
12 mm	11 mm; 5-17-27-x	25-0-1005-x	4 mm